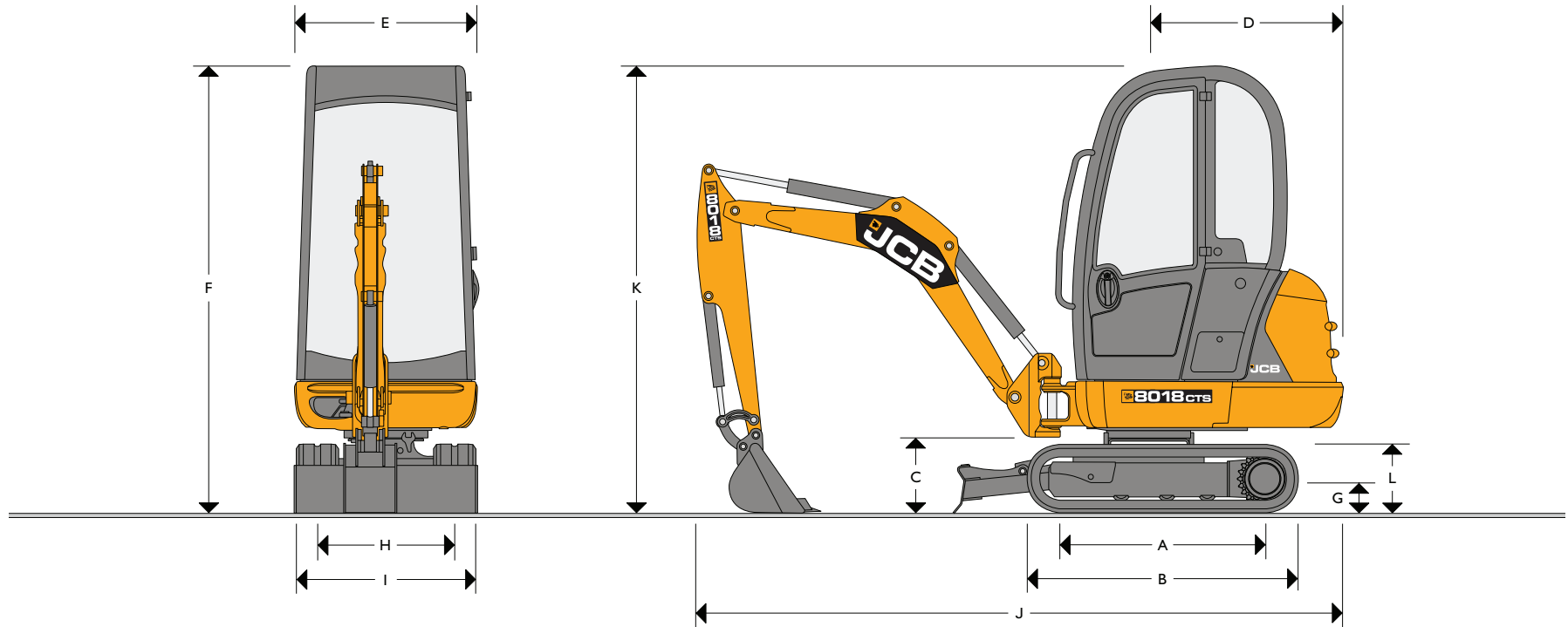




OPERATING WEIGHT: 4,017 lb (1,822 kg) NET ENGINE POWER: 19 hp (14.2 kW)



PERFORMANCE AND DIMENSIONS

Machine Model	8018 CTS
	ft-in (mm)
A Sprocket Idler Centers	3-8 (1127)
B Undercarriage Overall Length	5-10 (1484)
C Kingpost Clearance	1-3 (376)
D Tailswing Radius	3-6 (1059)
E Overall Width of Superstructure	3-2½ (980)
F Height Over Cab	7-7 (2318)
G Ground Clearance	0-6 (158)
H Track Gauge	2-5½ to 3-7¼ (750 to 1110)

Machine Model	8018 CTS
	ft-in (mm)
I Width Over Tracks (retracted)	3-2½ (980)
Width Over Tracks (extended)	4-5 (1340)
J Transport Length – Standard Dipper	11-6 (3523)
J Transport Length – Long Dipper	11-0 (3352)
J Transport Length – Gravemaster Dipper	10-6¾ (3219)
K Transport Height with FOGS Guard	7-7 (2318)
K Transport Height without FOGS Guard	7-6½ (2304)
L Track Height	1-2 (366)



ENGINE

Machine Model	8018 CTS	
Model	403D-11	
Fuel	Diesel	
Cooling	Water Cooled	
Gross Power	hp (kW) @ 2200 rpm	19.7 (14.7)
Net Power	hp (kW) @ 2200 rpm	19 (14.2)
Gross Torque	lbf ft (Nm) @ 1900 rpm	49.3 (66.8)
Net Torque	lbf ft (Nm) @ 1900 rpm	47.4 (64.2)
Displacement	cid (cc)	69 (1131)
Gradeability	degrees	35
Starter Motor	hp (kW)	1.5 (1.1)
Battery	V (A)	12 (60)
Alternator	A	40

UNDERCARRIAGE

Machine Model	8018 CTS	
No of Bottom Rollers	3	
Track Width	in (mm)	9 (230)
Ground Bearing Pressure	lb/in ² (kg/cm ²)	4.55 (0.32)
Ground Clearance	in (mm)	6 (158)
Track Tensioning	Grease	
Travel Speed – Low	mph (kph)	1.24 (2)
Travel Speed – High	mph (kph)	2.36 (3.8)
Tractive Effort	lbf (kN)	2540 (11.3)

OPERATOR ENVIRONMENT

	External	Internal
Cab/Canopy Height with FOGS Guard	ft-in (mm)	7-7 (2318)
Cab/Canopy Height no FOGS Guard	ft-in (mm)	7-6½ (2304)
Cab/Canopy Length	ft-in (mm)	3-11 (1171)
Cab/Canopy Width	ft-in (mm)	3-2 (974)
Distance from Seat Base to Roof	ft-in (mm)	4-0 (1223)
Door Aperture Width	ft-in (mm)	2-0½ (624)

HYDRAULIC SYSTEM

		Standard Gear Pump	Optional Variable Pump
Pump		Triple Section Gear	1 Variable (2 Ports) / 1 Gear
Nominal Output	lpm	43.6 (15.7 x 15.7 x 12.2)	46.9 (17.1 x 17.1 x 12.7)
Nominal Output	gal/min	11.5 (4.15 x 4.15 x 3.2)	12.4 (4.5 x 4.5 x 3.4)
Excavator/Track Main Relief	psi (bar)	3336 (230)	3336 (230)
Slew Main Relief	psi (bar)	2321 (160)	2321 (160)
Auxiliary Hydraulic Flow	gal (l)	8.3 (31.3)	9 (34.2)
Hydraulic Motors		Piston	Piston

MACHINE WEIGHT

Machine Model	8018 CTS	
Operating Weight*	lb (kg)	4017 (1822)
Transport Weight	lb (kg)	3849 (1746)
With Canopy	lb (kg)	-176 (-80)
With FOGS Guard	lb (kg)	+55 (+25)
With Long Dipper	lb (kg)	+4½ (+2)
With Gravemaster Dipper	lb (kg)	+15½ (+7)

*Operating weight to ISO 6016 including cab, rubber tracks, standard dipper, 18 in (460 mm) bucket, full tanks and a 165 lb (75 kg) operator.

DOZER BLADE

Machine Model	8018 CTS	
	Standard	
Max Height (above ground)	ft-in (mm)	0-9 (246)
Dig Depth (below ground)	ft-in (mm)	1-3 (380)
Approach Angle	degrees	26.5
Width	ft-in (mm)	3-3 (1000)
Width (extended)	ft-in (mm)	4-6¼ (1380)
Height	ft-in (mm)	0-7 (175)
Reach in Front of Tracks	ft-in (mm)	1-2 (370)

SERVICE CAPACITIES

Machine Model	8018 CTS	
Fuel Tank	gal (l)	6.2 (23.5)
Engine Coolant	gal (l)	1.32 (5)
Engine Oil	gal (l)	1.05 (4)
Hydraulic System	gal (l)	7.4 (28)
Hydraulic Tank	gal (l)	6.6 (25)

STANDARD EQUIPMENT

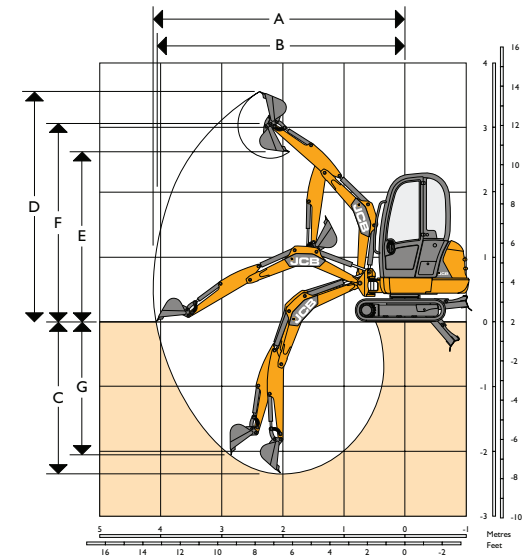
ROPS & TOPS certified canopy, full audio/visual warning systems, slew travel lock, control isolator, external lockable toolbox, 12 V power socket, lifting points, rubber tracks, 2 speed auto-shift tracking, hydraulically extending undercarriage, dual pattern controls (ISO/SAE change-over), static seat, boom worklight, double acting auxiliary circuit, boom cylinder protection, triple section gear pump, extendable dozer blade, 3 ft 10 in (1,161 mm) dipper.

OPTIONAL EQUIPMENT

ROPS & TOPS certified fully glazed cab (includes heater, interior light, cigar lighter, door holdback latch with internal/external release, gas strut assisted front screen), suspension seat, cab/canopy mounted worklights, 4 ft 2 in (1,261 mm) long dipper, 4 ft 11 in (1,500 mm) Gravemaster dipper*, dipper pipework, hand held tool circuit, variable displacement pump, engine fan guard kit, FOGS roof guard, mirror, track pedals, toolkit, radio, biodegradable hydraulic oil, fire extinguisher, sunblind (cab builds), battery isolator, travel alarm, immobiliser, yellow roof moulding, 9 digging buckets (6 in to 30 in (160 mm to 760 mm)), 2 ditching/grading buckets (35 in and 39 in (900 mm and 1,000 mm)), hydraulic breakers, earthdrills, mechanical quickhitch, hydraulic curb-lifter. * Auxiliary pipework is not available with Gravemaster dipper option.

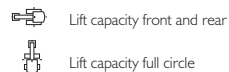
WORKING RANGE

Machine Model		8018 CTS	8018 CTS	8018 CTS
Dipper Length	ft-in (mm)	3-10 (1161)	4-2 (1261)	4-11 (1500)
A Max Digging Reach	ft-in (mm)	13-6 (3933)	13-10 (4028)	14-7 (4254)
B Max Digging Reach on Ground	ft-in (mm)	13-3 (3865)	13-8 (3949)	14-5 (4184)
C Max Digging Depth – Dozer Up	ft-in (mm)	7-8 (2142)	8-0 (2242)	8-9 (2477)
Max Digging Depth – Dozer Down	ft-in (mm)	8-11 (2470)	9-3 (2570)	10-1 (2805)
D Max Digging Height	ft-in (mm)	11-8 (3460)	11-10 (3519)	12-4 (3660)
E Max Dump Height	ft-in (mm)	8-5 (2568)	8-7 (2626)	9-0¼ (2765)
F Max Height to Dipper Nose Pivot Pin	ft-in (mm)	10-1 (2973)	10-2 (3032)	10-9 (3172)
G Max Vertical Wallcut Depth	ft-in (mm)	6-9 (1750)	7 (1845)	7-9 (2082)
Min Front Swing Radius (no offset)	ft-in (mm)	5-7½ (1715)	5-8½ (1739)	5-10½ (1791)
Min Front Swing Radius (fully offset)	ft-in (mm)	5-0 (1529)	5-1 (1552)	5-2 (1574)
Boom Swing Left	degrees	55	55	55
Boom Swing Right	degrees	75	75	75
Bucket Rotation	degrees	198	198	198
Dipper Rotation	degrees	121	121	121
Bucket Tearout	lbf (kN)	3642 (16.2)	3642 (16.2)	–
Dipper Tearout	lbf (kN)	2068 (9.2)	1866 (8.3)	–
Slew Speed	rpm	8.1	8.1	8.1



LIFT CAPACITIES – Standard Dozer, 9 in Rubber Tracks, 4 ft 2 in Dipper, No Bucket.

Load Point	Reach from Slew Center																Capacity at Maximum Reach				Distance
	3 ft 11 in (1200 mm)				4 ft 11 in (1500 mm)				6 ft 7 in (2000 mm)				8 ft 2½ in (2600 mm)								
Height	Dozer up	Dozer down	Retracted	Extended	Dozer up	Dozer down	Retracted	Extended	Dozer up	Dozer down	Retracted	Extended	Dozer up	Dozer down	Retracted	Extended	Dozer up	Dozer down	Retracted	Extended	ft-in (mm)
4-11 (1500)																					11-5 (3505)
3-3 (1000)																					11-11 (3386)
1-8 (500)																					11-11 (3386)
Ground Level	1075	1975	877	1366	793	1466	645	1003	604	1049	473	753	480	820	379	595	368	582	306	487	11-11 (3386)
- 1-8 (-500)	1038	1649	793	1355	760	1287	610	976	586	945	462	738	469	723	368	615	405	559	317	559	11-3 (3140)
- 3-3 (-1000)	1038	1649	793	1355	760	1287	610	976	586	945	462	738	469	723	368	615	405	559	317	559	



Notes:

- Lifting capacities are based on ISO 10567, that is: 75% of minimum tipping load or 87% of hydraulic lift capacity, whichever is the less. Lifting capacities marked* are based on hydraulic capacity.
- Lift capacities assume that the machine is on firm, level ground and equipped with an approved lifting point.
- A bucket must be fitted when lifting, the weight of this bucket must be deducted from the above lift capacities.
- Lift capacities may be limited by local regulations. Please refer to your dealer.



A GLOBAL COMMITMENT TO QUALITY

JCB's total commitment to its products and customers has helped it grow from a one-man business into one of the world's largest manufacturers of backhoe loaders, crawler excavators, wheeled excavators, telescopic handlers, wheeled loaders, dump trucks, rough terrain fork lifts, industrial fork lifts, mini/midi excavators, skid steer loaders and tractors.

By making constant and massive investments in the latest production technology, the JCB factories have become some of the most advanced in the world.

By leading the field in innovative research and design, extensive testing and stringent quality control, JCB machines have become renowned all over the world for performance, value and reliability.

And with an extensive dealer sales and service network in over 150 countries, we aim to deliver the best customer support in the industry.

Through setting the standards by which others are judged, JCB has become one of the world's most impressive success stories.



JCB Headquarters Savannah, 2000 Bamford Blvd, Savannah, GA 31322 Tel: (912) 447-2000 Fax: (912) 447-2299 www.jcb.com

JCB reserves the right to change design, materials and/or specifications without notice. Specifications are applicable to units sold in the United States and Canada. The JCB logo is a registered trademark of J C Bamford Excavators Ltd.