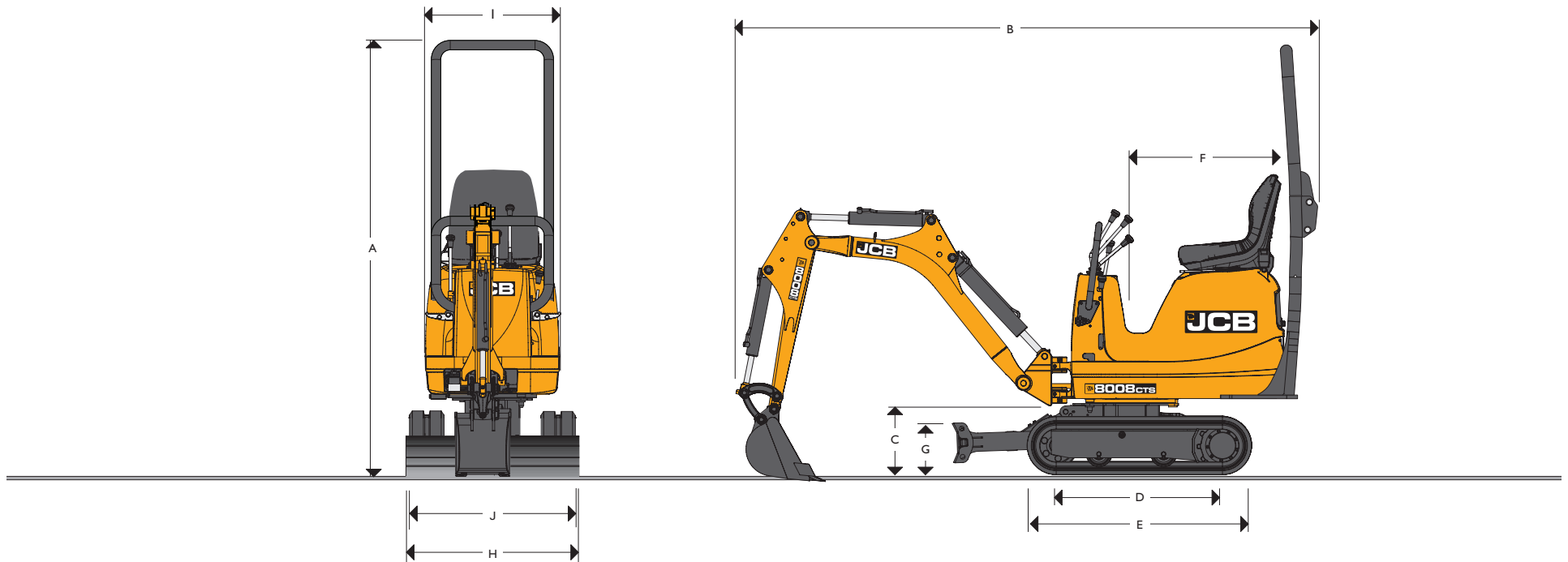




OPERATING WEIGHT: 2,094 lb (950 kg) NET ENGINE POWER: 12.0 hp (9.0 kW) Interim Tier IV



PERFORMANCE AND DIMENSIONS

Machine Model		8008 CTS
A Overall Height (trans pos)	ft-in (mm)	7-7 (2310)
B Overall Length (trans pos)	ft-in (mm)	8-9 (2682)
C Kingpost Clearance	ft-in (mm)	1-2 (356)
D Sprocket Idler Centers	ft-in (mm)	2-8 (865)
E Undercarriage Length	ft-in (mm)	3-10 (1165)
F Tailswing	ft-in (mm)	2-7 (800)

Machine Model		8008 CTS
G Dozer Height	ft-in (mm)	8-0 (2438)
H Dozer Width (retracted)	ft-in (mm)	2-4 (700)
Dozer Width (extended)	ft-in (mm)	2-11 (900)
I Superstructure Width	ft-in (mm)	2-3 (695)
J Width Over Tracks (retracted)	ft-in (mm)	2-4 (700)
Width Over Tracks (extended)	ft-in (mm)	2-10 (865)



ENGINE

Machine Model	8008 CTS	
Model	403D-07 (Interim Tier IV)	
Net Power	hp (kW)	12.0 (9.0)
Gross Torque	lbf ft (Nm)	33.9 (46 @1800)
Displacement	cid (cc)	46.5 (762)
Gradeability	degrees	35
Starter Motor	hp (kW)	1.6 (1.2)
Alternator	A	15
Emission Certification	Interim Tier IV	

UNDERCARRIAGE

Machine Model	8008 CTS	
No of Bottom Rollers	2	
Track Width	in (mm)	7 (180)
Ground Bearing Pressure	psi (kg/cm ²)	3.3 (0.23)
Ground Clearance	in (mm)	5.0 (130)
Track Tensioning	Grease	
Travel Speed	mph (kph)	1.1 (1.8)
Draw Bar Pull	lbf (kN)	1742 (7.75)

HYDRAULICS

Machine Model	8008 CTS	
Pump	2 Section Gear	
Nominal Output	gpm (lpm)	2.5 x 2 (11.2 x 2)
Excavator / Track Main Relief	psi (bar)	2465 (170)
Slew Main Relief	psi (bar)	1305 (90)
Auxiliary Hydraulic Flow	gpm (lpm)	5.0 (22.4)
Hydraulic Motors	Piston	

MACHINE WEIGHTS

Machine Model	8008 CTS	
Operating Weight*	lb (kg)	2094 (950)
Transport Weight with 2 Post TOPS	lb (kg)	1929 (875)
2 Post TOPS Weight	lb (kg)	77 (35)

SERVICE CAPACITIES

Machine Model	8008 CTS	
Engine Coolant System Capacity	gal (l)	0.6 (2.6)
Fuel Tank Capacity	gal (l)	2.5 (11.5)
Engine Oil Capacity	gal (l)	0.7 (3.0)
Hydraulic System Capacity	gal (l)	4.6 (21)
Hydraulic Tank Capacity	gal (l)	3.5 (16)

STANDARD AND OPTIONAL EQUIPMENT

Machine Model	8008 CTS
TOPS Certified Frame	†
Front Handrail Only	○
Full Audible Systems	S
Toolkit	○
Slew Travel Lock	S
Rubber Tracks	S
Extending Undercarriage	S
Dual Pattern Controls (DPC)	S
Vinyl Static Seat	S
34.6 in (880 mm) Dipper	S
Boom Offset	S
Dozer Blade	S
Double Acting Pipework	○
Boom Worklight	○
General Purpose Buckets:	
6 in (160 mm) to 16 in (410 mm)	○
Ditching / Grading Buckets:	
28 in (700 mm)	○
JCB Breaker: HM65Q	○
Earth Drills	○

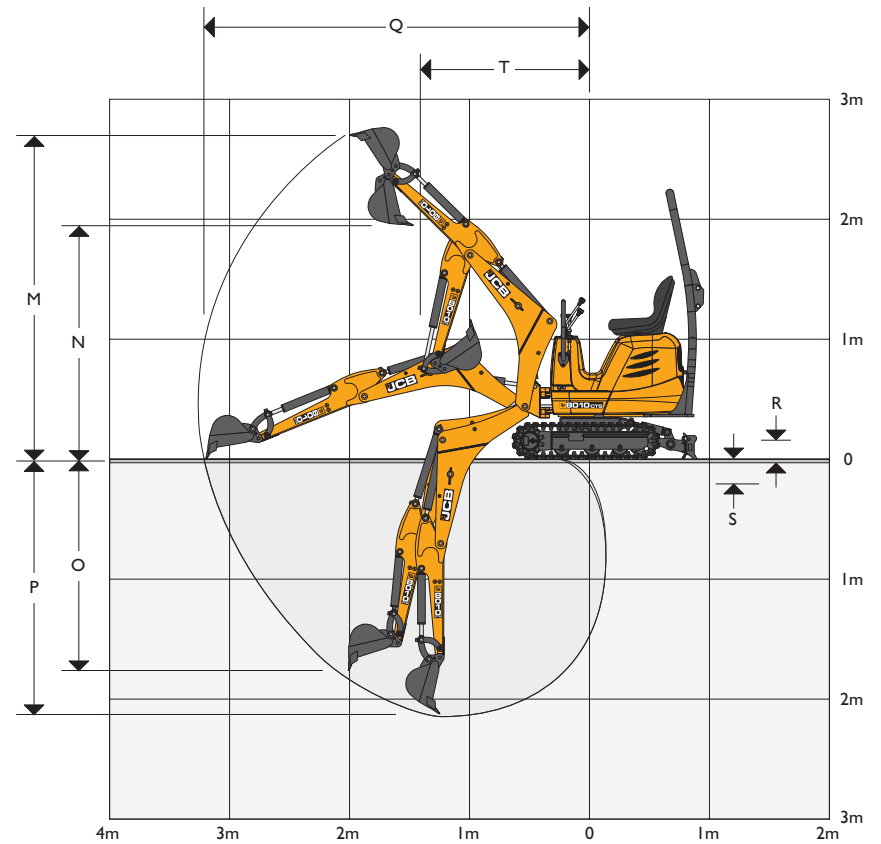
† Please note the TOPS frame may be a legal requirement in your territory.

* Operating weight to ISO 6016 including 2 post TOPS frame, rubber tracks, standard dipper, standard dozer, 12 in bucket, full tanks and a 165 lb operator.

S = Standard ○ = Optional

WORKING RANGE

Machine Model	8008 CTS	
M Max Dig Height	ft-in (mm)	9-4 (2840)
N Max Dump Height	ft-in (mm)	6-6 (1980)
O Max Vertical Dig Depth	ft-in (mm)	4-10 (1480)
P Max Dig Depth - Dozer Up	ft-in (mm)	5-6 (1690)
Q Max Ground Level Reach	ft-in (mm)	12-2 (3110)
Bucket Rotation	degrees	191
R Dozer Cut Above Ground	in (mm)	0-8 (200)
S Dozer Cut Below Ground	in (mm)	0-4 (110)
T Min Slew Radius	ft-in (mm)	4-1 (1240)
Boom Swing Right	degrees	70
Boom Swing Left	degrees	70
Max Bucket Tear Out	lbf (kN)	2091 (9.3)
Max Dipper Tear Out	lbf (kN)	1034 (4.6)





A GLOBAL COMMITMENT TO QUALITY

JCB's total commitment to its products and customers has helped it grow from a one-man business into one of the world's largest manufacturers of backhoe loaders, crawler excavators, wheeled excavators, telescopic handlers, wheeled loaders, dump trucks, rough terrain fork lifts, industrial fork lifts, mini/midi excavators, skid steer loaders and tractors.

By making constant and massive investments in the latest production technology, the JCB factories have become some of the most advanced in the world.

By leading the field in innovative research and design, extensive testing and stringent quality control, JCB machines have become renowned all over the world for performance, value and reliability.

And with an extensive dealer sales and service network in over 150 countries, we aim to deliver the best customer support in the industry.

Through setting the standards by which others are judged, JCB has become one of the world's most impressive success stories.



JCB Headquarters Savannah, 2000 Bamford Blvd, Savannah, GA 31322 Tel: (912) 447-2000 Fax: (912) 447-2299 www.jcb.com

JCB reserves the right to change design, materials and/or specifications without notice. Specifications are applicable to units sold in the United States and Canada. The JCB logo is a registered trademark of J.C. Bamford Excavators Ltd.