



PS3500H PS4000H PT4000H

Hydrostatic Site Dumpers

OPERATING WEIGHT	5,247 - 6,261 lbs (2,380 - 2,840 kg)
NET ENGINE POWER	43.2 hp (32.4 kW)
HEAPED	2.4 - 3.5 yd ³ (1,870 - 2,640 L)



HYDROSTATIC SITE DUMPERS

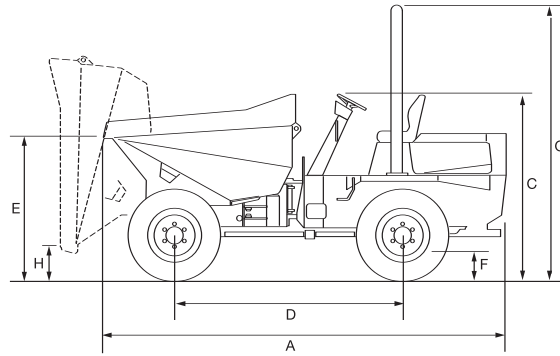
Specifications

Engine		PS3500H	PS4000H	PT4000H
Model		Kubota V2203M	Kubota V2203M	Kubota V2203M
Power	hp (kW)	43.2 (32.4)	43.2 (32.4)	43.2 (32.4)
Bucket Capacities				
Payload	lbs (kg)	7,716 (3,500)	8,818 (4,000)	8,818 (4,000)
Water	yd ³ (L)	1.3 (1,000)	1.8 (1,350)	1.9 (1,420)
Struck	yd ³ (L)	2.0 (1,500)	2.2 (1,660)	2.6 (2,000)
Heaped	yd ³ (L)	2.4 (1,870)	3.3 (2,500)	3.5 (2,640)
Transmission and Ground Speed, 4WD				
Type		2/2 hydrostatic - permanent 4WD		
Speed	mph (kph)	11 (18)	11 (18)	11 (18)
Tires				
Rough Terrain		11.5/80x15.3x8ply	12.0x18x12ply	12.0x18x12ply

Hydrostatic Site Dumpers

PS3500H / PS4000H / PT4000H

Dimensions



Dumper Dimensions		PS3500H	PS4000H	PT4000H
A Total length	(in/mm)	152(3,850)	168 (4,270)	146 (3,706)
B Total width	(in/mm)	73 (1,860)	75 (1,910)	85 (2,170)
C Height to top of steering wheel	(in/mm)	73 (1,860)	74 (1,890)	74 (1,890)
D Wheelbase	(in/mm)	77 (1,950)	77 (1,950)	77 (1,950)
E Height front bucket tip	(in/mm)	59 (1,500)	62 (1,600)	57 (1,460)
F Ground clearance	(in/mm)	12 (300)	13 (330)	13 (330)
G Height to top of ROPS	(in/mm)	106 (2,680)	110 (2,795)	110 (2,795)
H Height to front lip of bucket	(in/mm)	43 (1,100)	41 (1,030)	11 (290)
Turning radius outside of bucket	(ft-in/mm)	15' 1" (4,665)	15' 1" (4,665)	15' 1" (4,665)
Weight	(lbs/kg)	5,247 (2,380)	6,261 (2,840)	5,556 (2,520)
Steering Angle	degrees	+/- 30°	+/- 30°	+/- 30°
Oscillation	degrees	+/- 10.5°	+/- 10.5°	+/- 10.5°
Tipping type		Swing 180°	Swing 180°	Forward

Electrical System	
Voltage	12 V
Battery	74 Ah
Alternator	55 A

Standard Equipment	
Folding ROPS frame	Reversing alarm
Flashing beacon	Towing bracket

Braking System	
Working Brake	Foot brake - Oil immersed discs on front
Parking Brake	Over center handbrake - Oil immersed disc front axle



Terex Construction Americas

8800 Rostin Road
Southaven, MS 38671
USA

TEL 662-393-1800
SALES 866-837-3923
PARTS & TECH SUPPORT 888-201-6008
FAX 662-393-1700
EMAIL sales@terexca.com
WEB terexca.com

For more information, product demonstration, or details on purchase, lease and rental plans, please contact your local Terex Distributor.

Effective date: August 15, 2006. For further information, please contact your local distributor or the Terex sales office listed. Product specifications are subject to change without notice or obligation. The photographs and drawings in this brochure are for illustrative purposes only. Refer to the appropriate Operator's Manual for instructions on the proper use of this equipment. Failure to follow the appropriate Operator's Manual when using our equipment or to otherwise act irresponsibly may result in serious injury or death. Prices and specifications subject to change without notice. The only warranty applicable is the standard written warranty applicable to the particular product and sale. Terex makes no other warranty, expressed or implied. Products and services listed may be trademarks, service marks or trade-names of Terex Corporation and/or its subsidiaries in the USA and other countries and all rights are reserved. "Terex" is a Registered Trademark of Terex Corporation in the USA and many other countries. Copyright ©2006 Terex Corporation